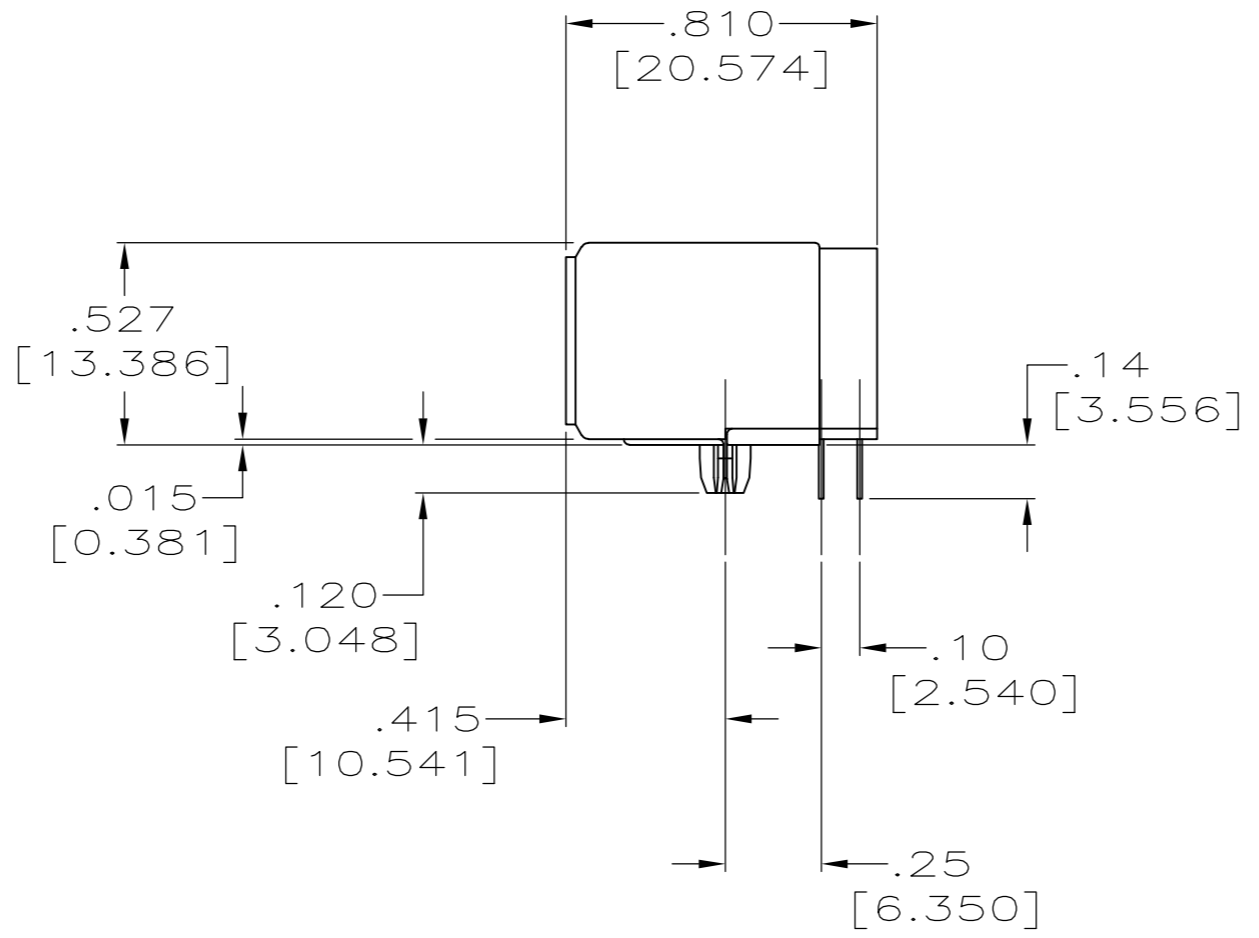
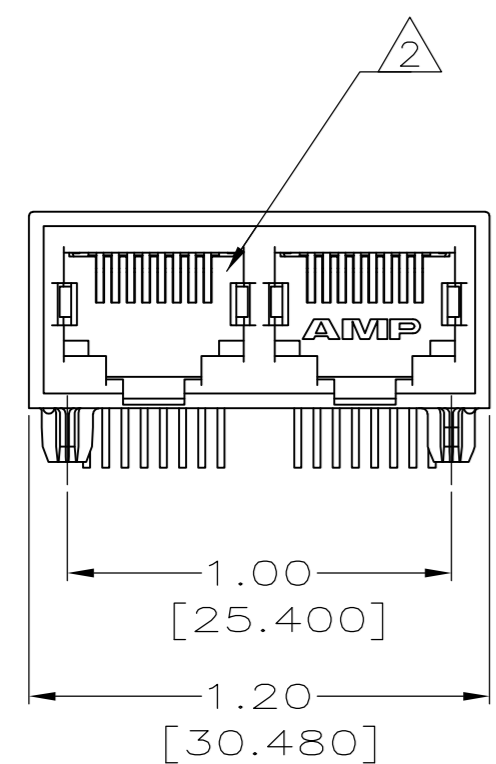
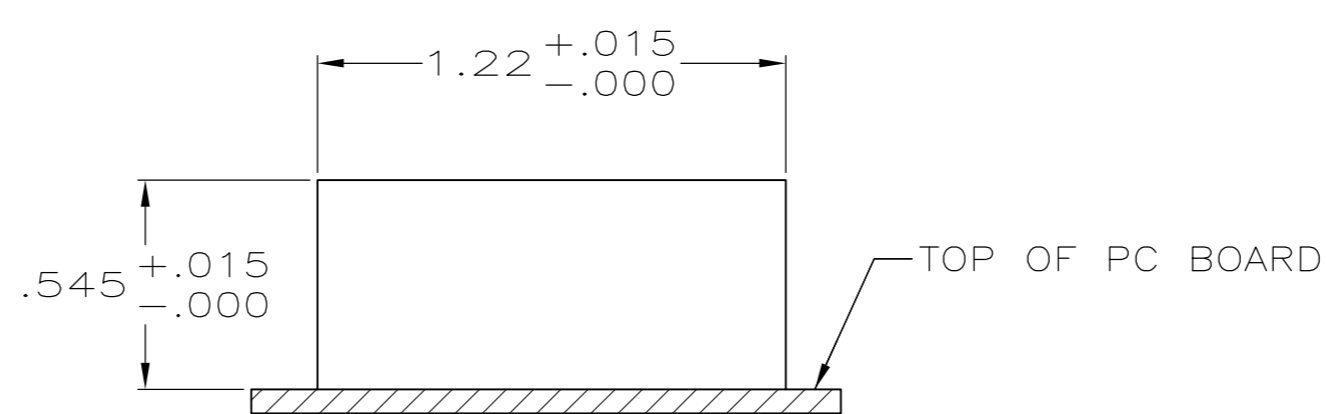
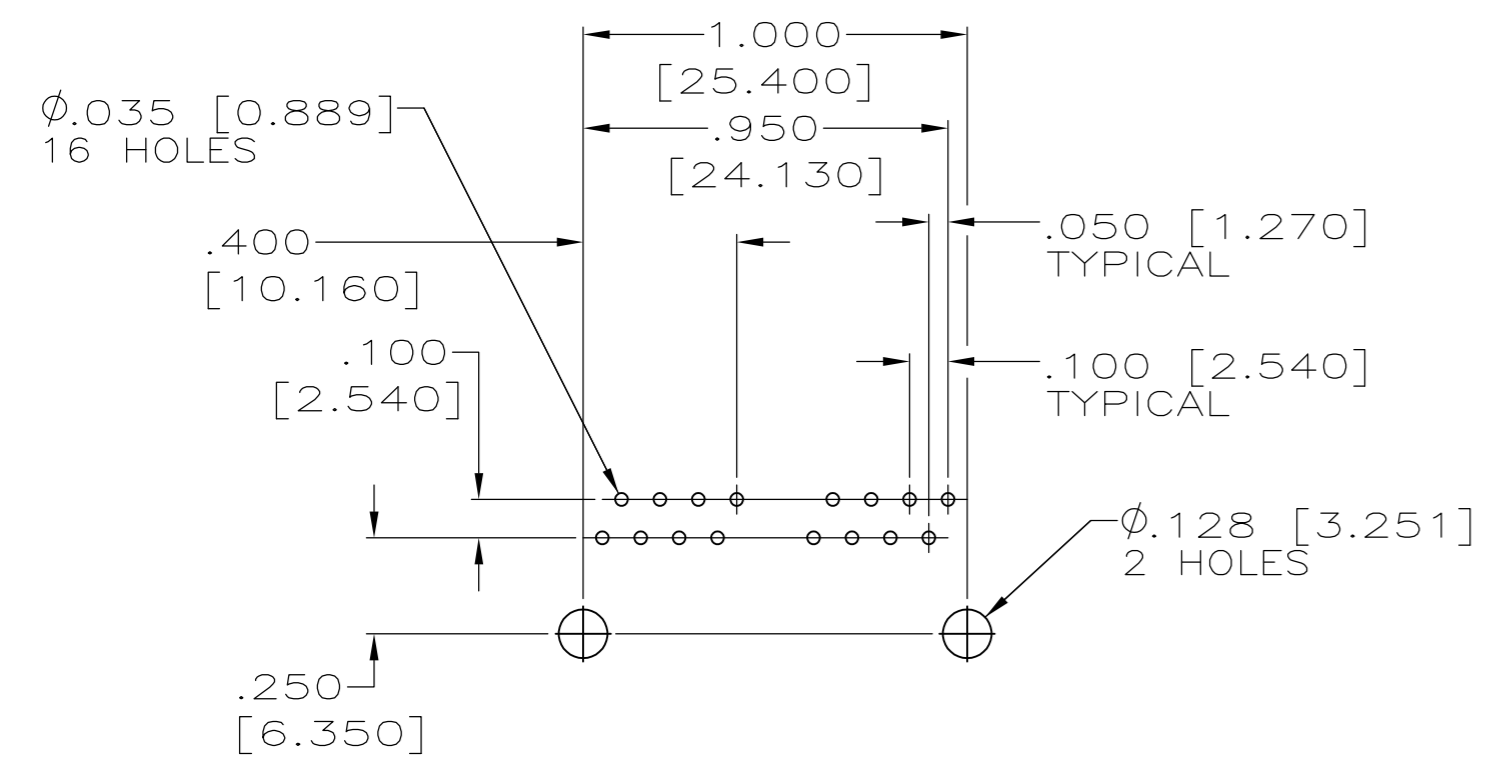


THIS DRAWING IS UNPUBLISHED. RELEASED FOR PUBLICATION
 © COPYRIGHT - By - ALL RIGHTS RESERVED.

LOC	DIST	REVISIONS					
AA	22	P	LTR	DESCRIPTION	DATE	DWN	APVD
		A1		REVISED PER ECO-11-005033	29MAR11	RK	HMR



- 1 MATERIAL: HOUSING - HTN NYLON, BLACK, IR REFLOW PROCESSING COMPATIBLE, UL 94V-0. TERMINALS - .013[0.33] THICK PHOS BRONZE PLATED WITH .000050[1.27μm] THICK HARD GOLD IN LOCALIZED AREA AND .000150[3.81μm] THICK MATTE TIN IN SOLDER AREA OVER .000050[1.27μm] THICK NICKEL UNDERPLATE.
- 2 JACK CAVITY CONFORMS TO FCC RULES AND REGULATIONS, PART 68 SUBPART F.
3. ALL DIMENSIONS SHOWN ARE NOMINAL UNLESS OTHERWISE SPECIFIED.
4. ALL DIMENSIONS SHOWN IN BRACKETS [] ARE IN MILLIMETERS.



SUGGESTED PANEL CUTOUT

SUGGESTED PC BOARD LAYOUT
 COMPONENT SIDE
 SEE APPLICATION SPECIFICATION

5557560-1
 PART NO.

THIS DRAWING IS A CONTROLLED DOCUMENT.		DWN V. SLACK/L.A.MAYER 25MAY2005																				
DIMENSIONS: INCHES		CHK J.WESTMAN 25MAY2005																				
TOLERANCES UNLESS OTHERWISE SPECIFIED:		APVD S.FLICKINGER 25MAY2005	NAME MODULAR JACK ASSEMBLY, TWO PORT, 8 POSITION, RIGHT ANGLE																			
<table border="0"> <tr><td>0 PLC</td><td>±</td><td>-</td></tr> <tr><td>1 PLC</td><td>±</td><td>-</td></tr> <tr><td>2 PLC</td><td>±</td><td>.01[0.254]</td></tr> <tr><td>3 PLC</td><td>±</td><td>.005[0.127]</td></tr> <tr><td>4 PLC</td><td>±</td><td>-</td></tr> <tr><td>ANGLES</td><td></td><td>± -</td></tr> </table>		0 PLC	±	-	1 PLC	±	-	2 PLC	±	.01[0.254]	3 PLC	±	.005[0.127]	4 PLC	±	-	ANGLES		± -	PRODUCT SPEC 108-1392	SIZE A2	CAGE CODE 00779
0 PLC	±	-																				
1 PLC	±	-																				
2 PLC	±	.01[0.254]																				
3 PLC	±	.005[0.127]																				
4 PLC	±	-																				
ANGLES		± -																				
MATERIAL SEE NOTE 1		FINISH SEE NOTE 1	APPLICATION SPEC 114-2048	DRAWING NO C=5557560																		
		WEIGHT -	RESTRICTED TO -																			
		CUSTOMER DRAWING		SCALE 2:1																		
		SHEET 1 of 1		REV A1																		